

For reference only. See data sheet for the detailed specifications.

Technical Specification



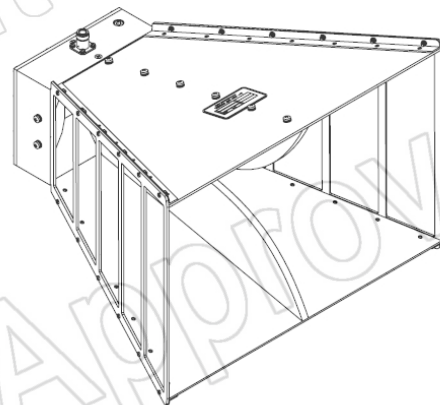
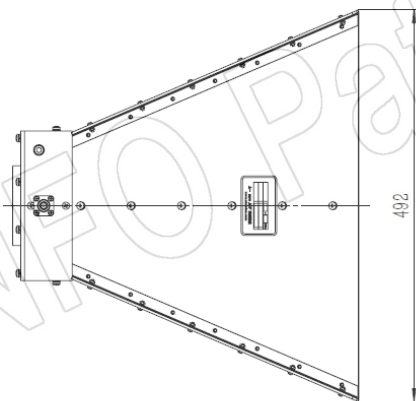
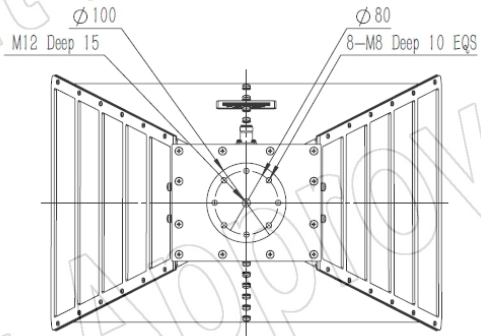
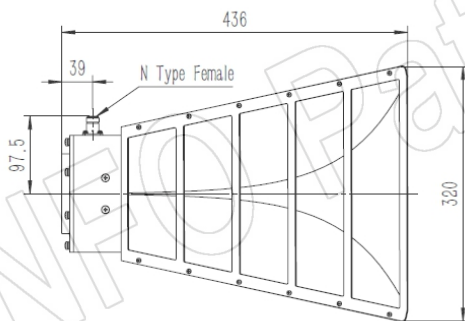
| | |
|--------------------------|-----------------------------|
| Frequency Range(GHz) | 0.4 – 6.0 |
| Gain(dBi) | 10 Typ. |
| Polarization | Linear |
| 3dB Beamwidth(deg) | E Plane: 104 - 31 |
| | H Plane: 94 - 35 |
| Cross Pol. Isolation(dB) | 25 Typ. |
| VSWR | 1.5:1 Typ. |
| Connector | N-Female |
| Power Handling(W CW) | 500 Max. |
| Material | Al |
| Finish | Chemical Conversion Coating |
| Size(mm) | 492 x 320 x 436 |
| Net Weight(Kg) | 7.4 Around |

PATENT ID (China)

ZL201630454765.2

Outline Drawing (Size: mm)

N-Female Output (P/N: LB-460-NF)



AINFO Inc.

China(Beijing):
China(Chengdu):
USA :

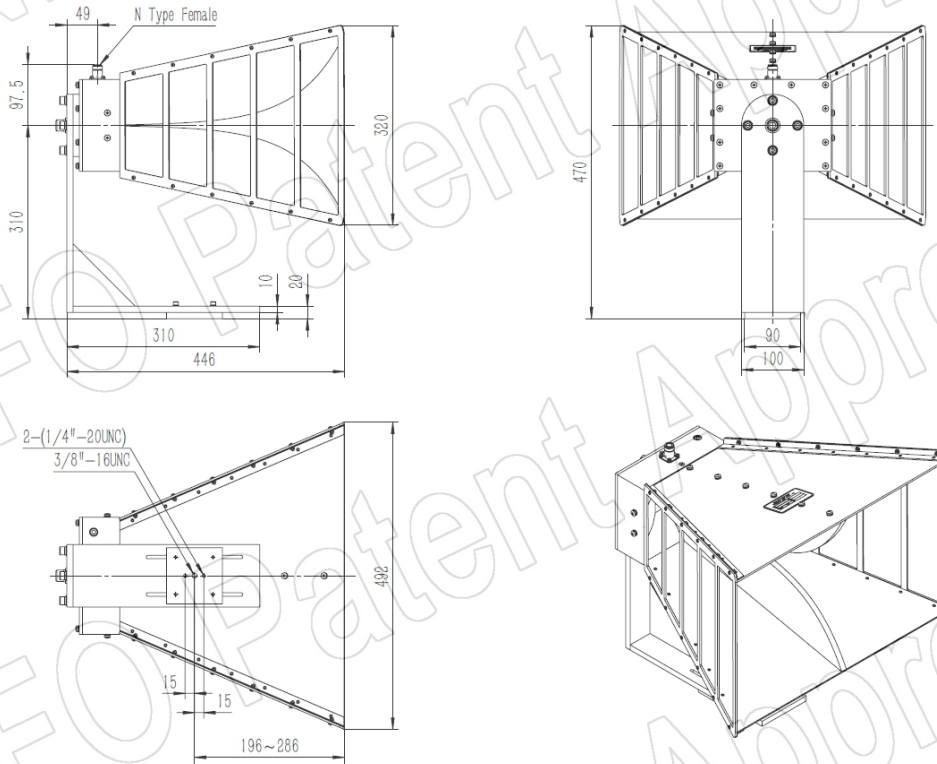
Tel: (+86) 10-6266-7326,
Tel: (+86) 28-8519-2786,
Tel: (+1) 949-639-9688,

(+86) 10-6266-7327
(+86) 28-8519-3044
(+1) 949-639-9608

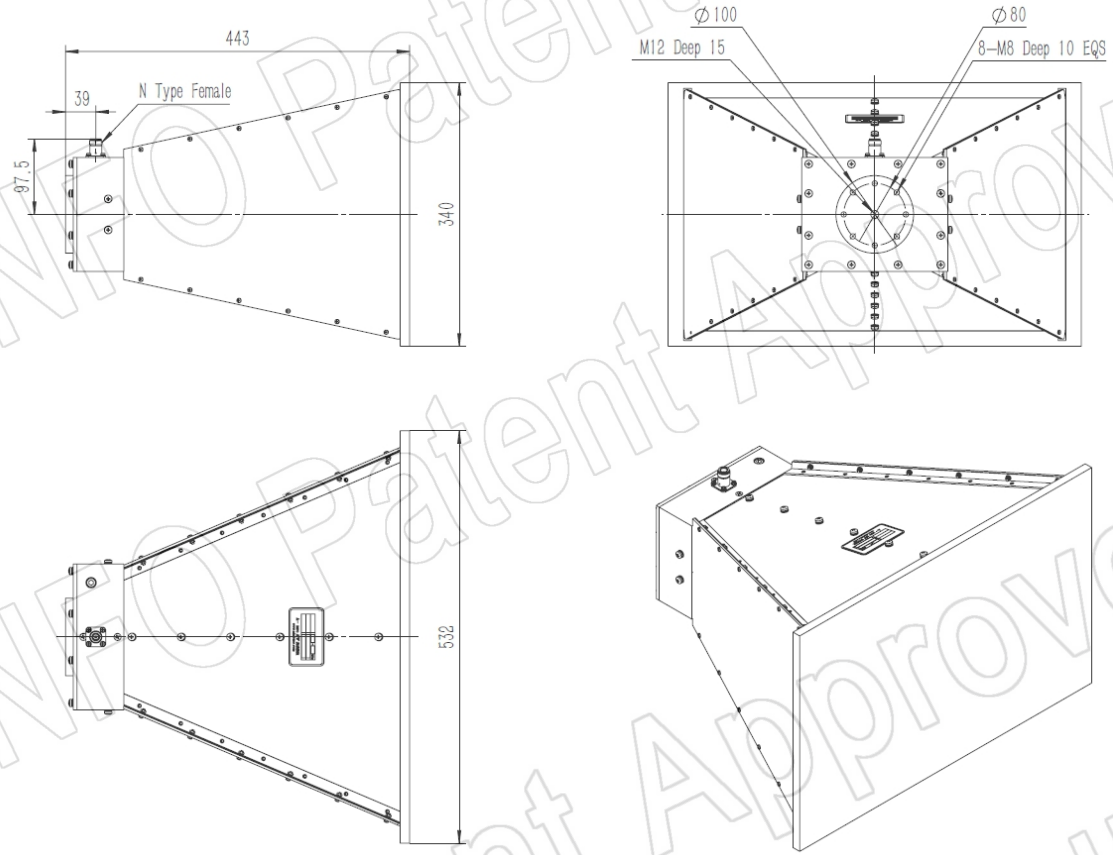
Fax: (+86) 10-6266-7379
Fax: (+86) 28-8519-3068
Fax: (+1) 949-639-9670

Website: www.ainfoinc.com
Email: sales@ainfoinc.com

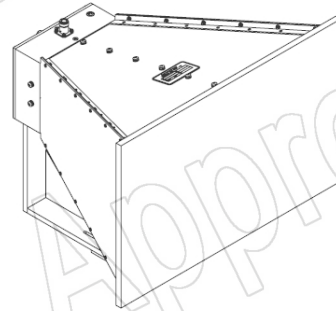
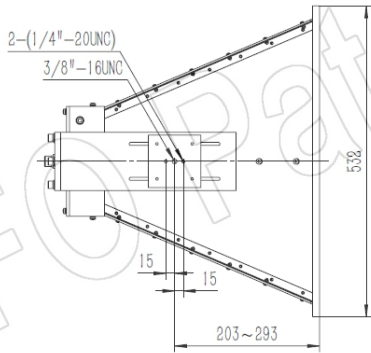
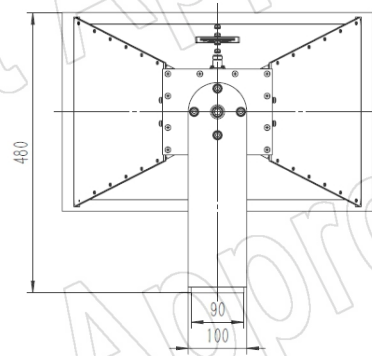
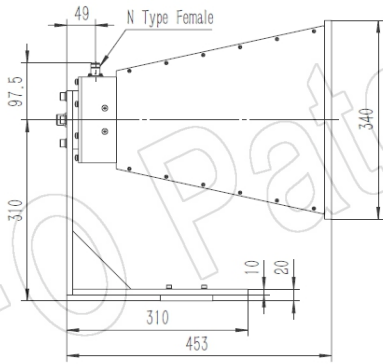
N-Female Output with L Type Mounting Bracket (Option, P/N: LB-460-L)



N-Female Output with Radome (Option, P/N: LB-460-NFSP0, Outdoor Application)

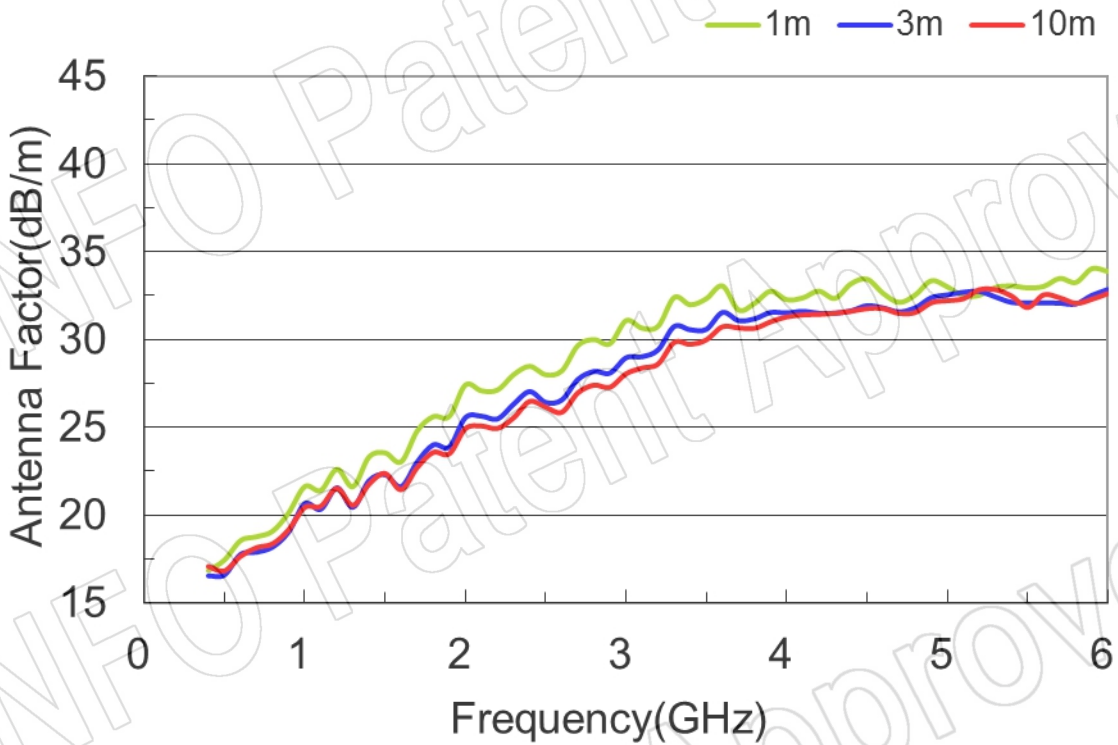
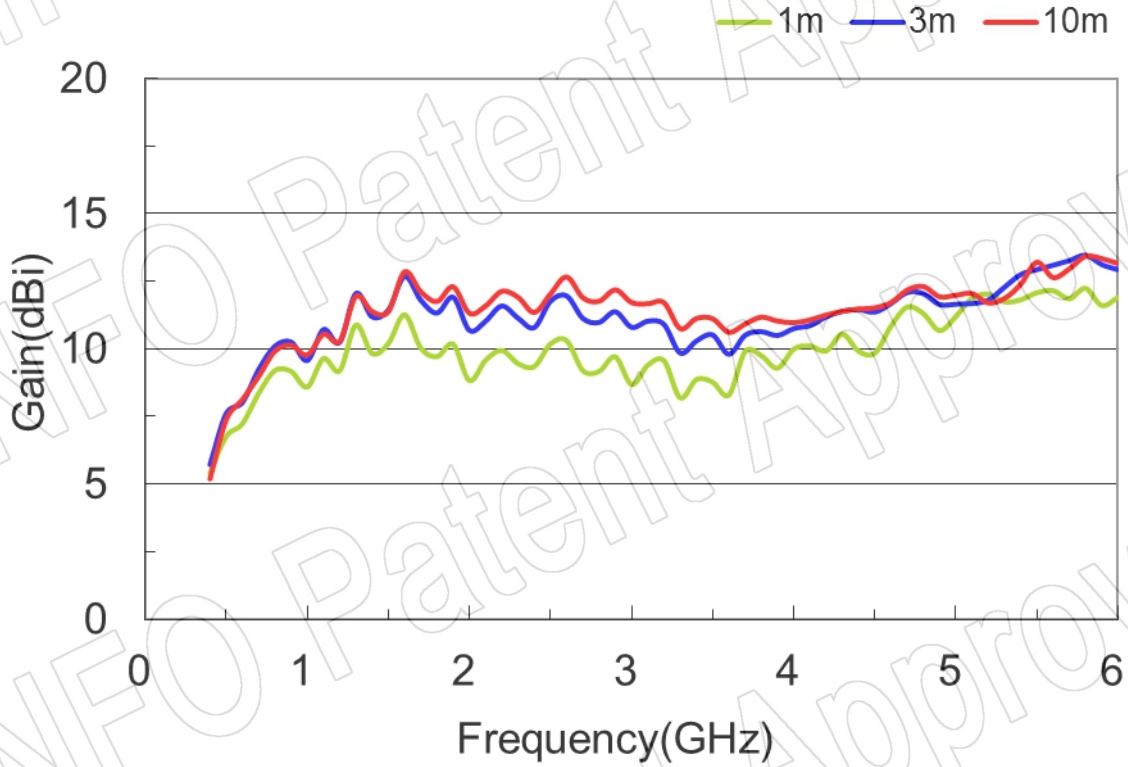


N-Female Output with L Type Mounting Bracket & Radome (Option, P/N: LB-460-L & LB-460-NFSP0, Outdoor Application)

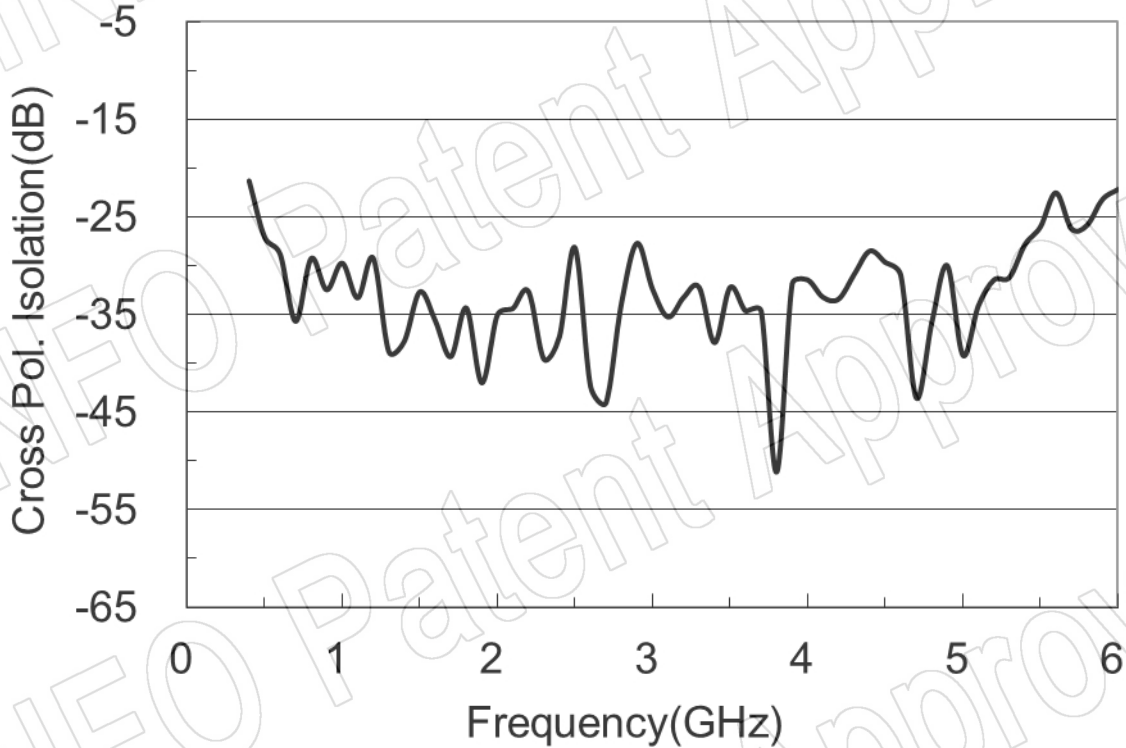


Test Results

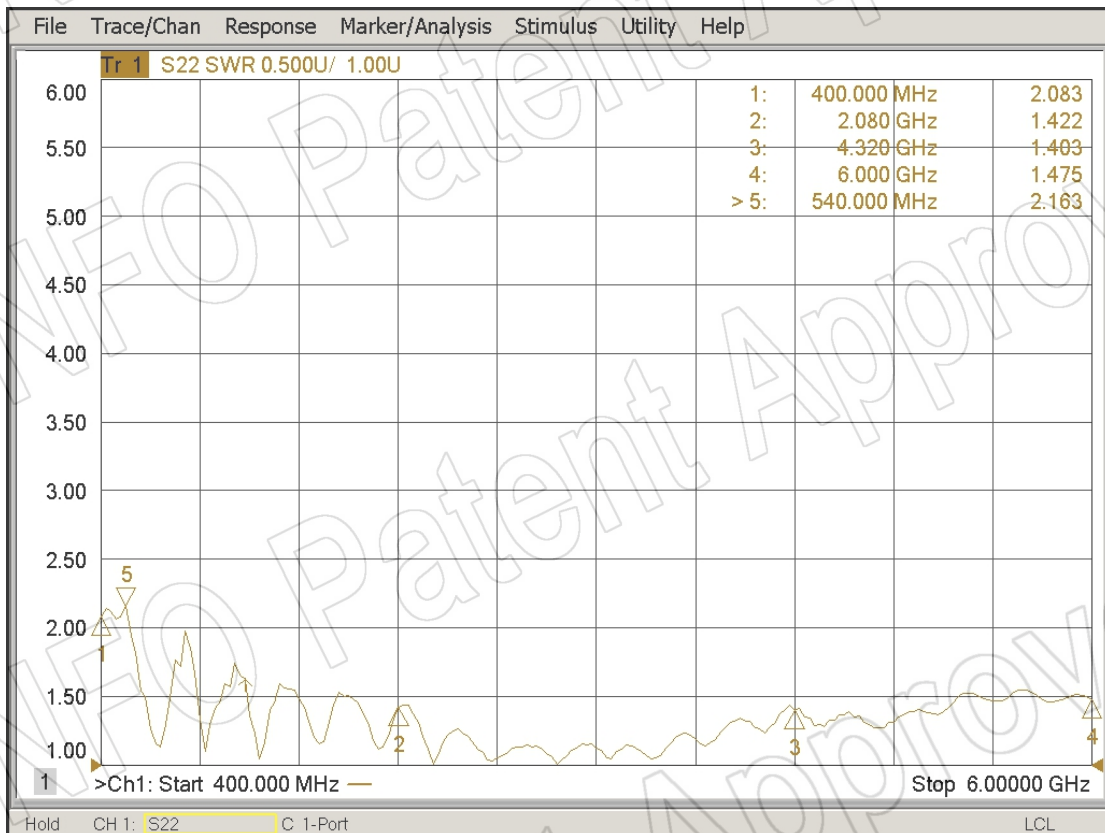
1. Gain & Antenna Factor



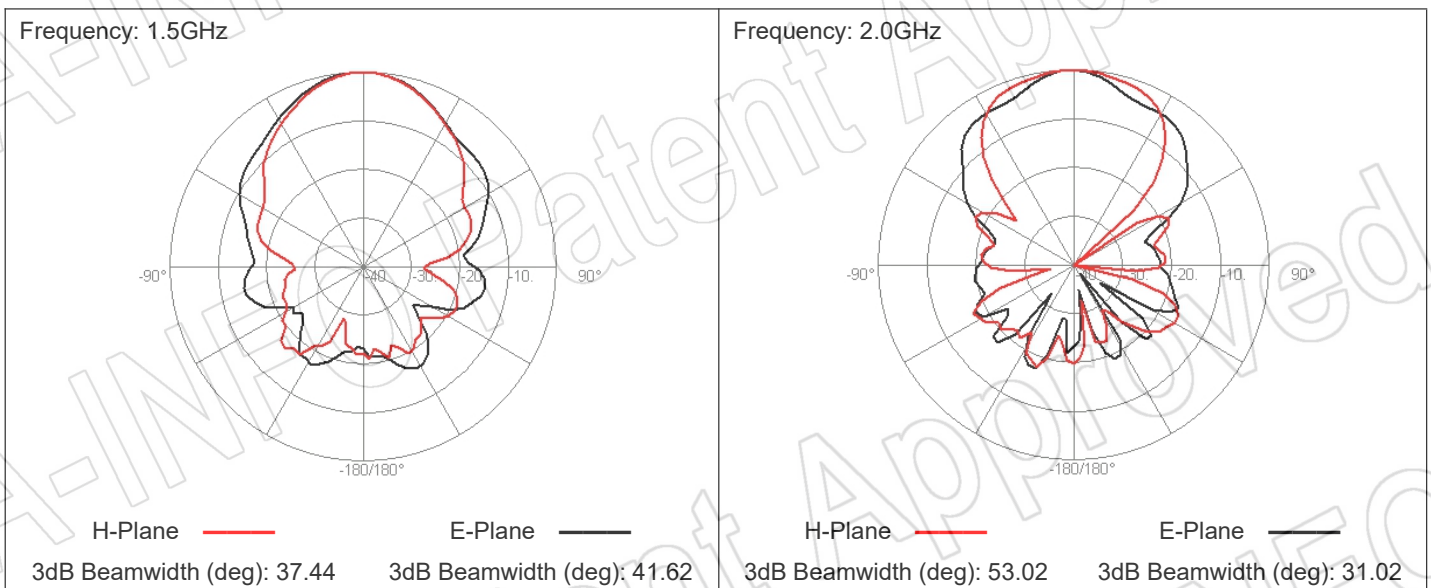
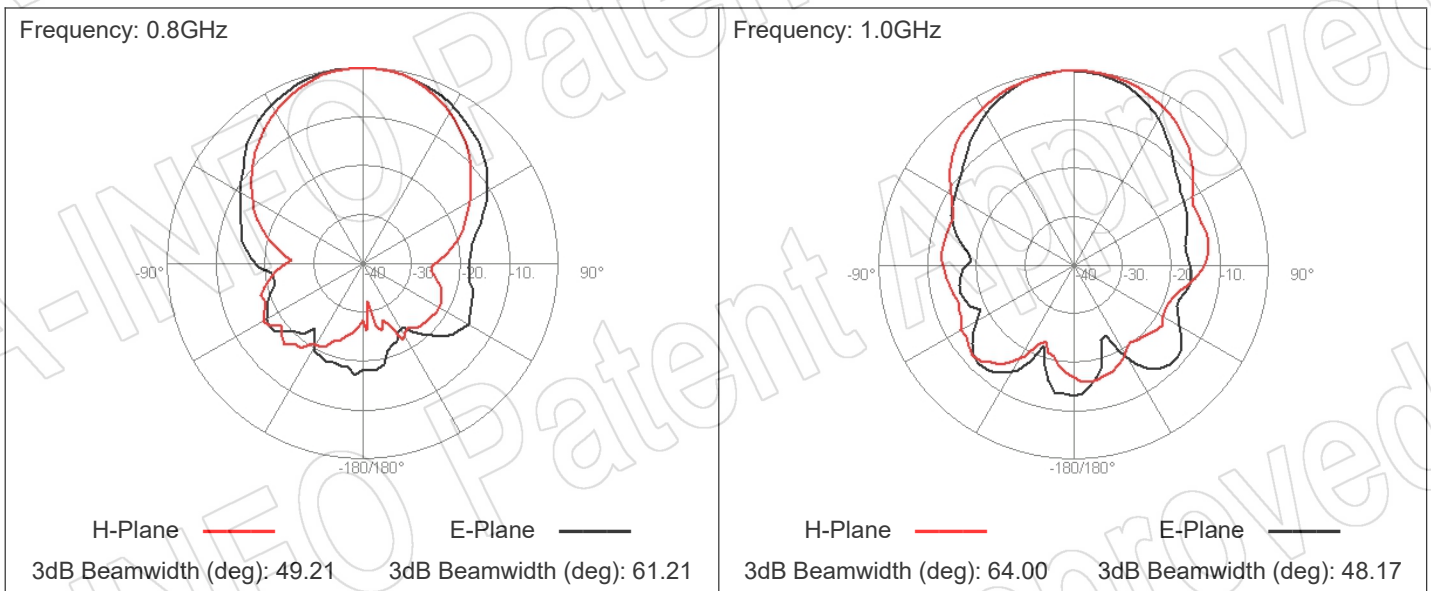
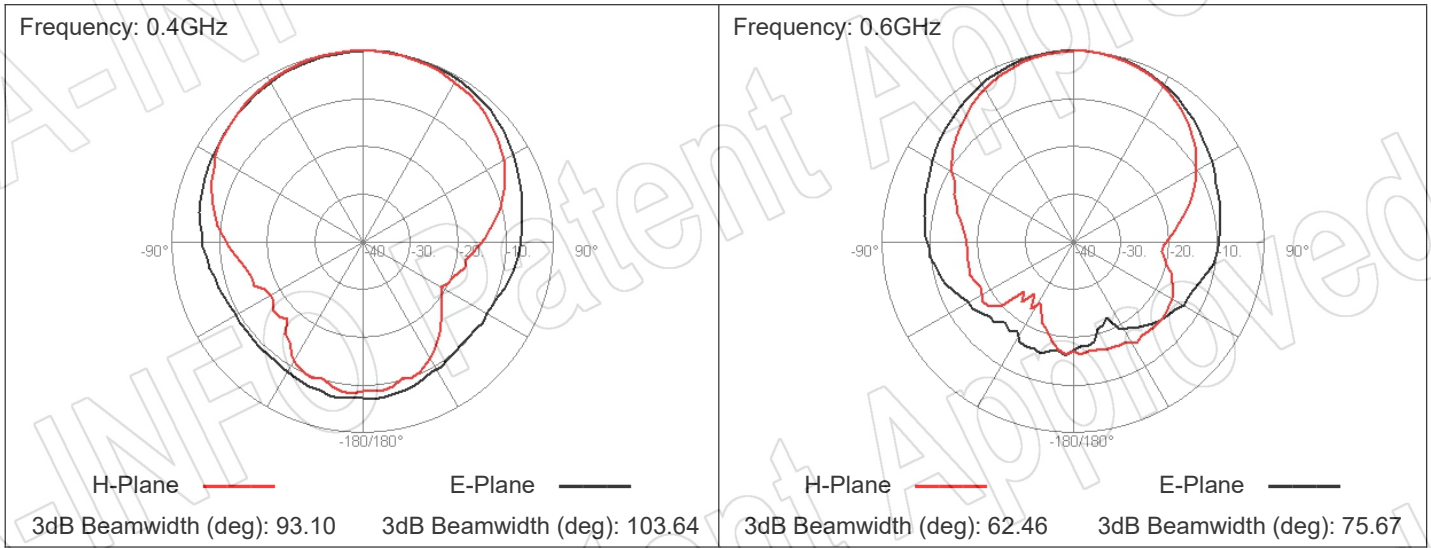
2. Cross Polarization Isolation

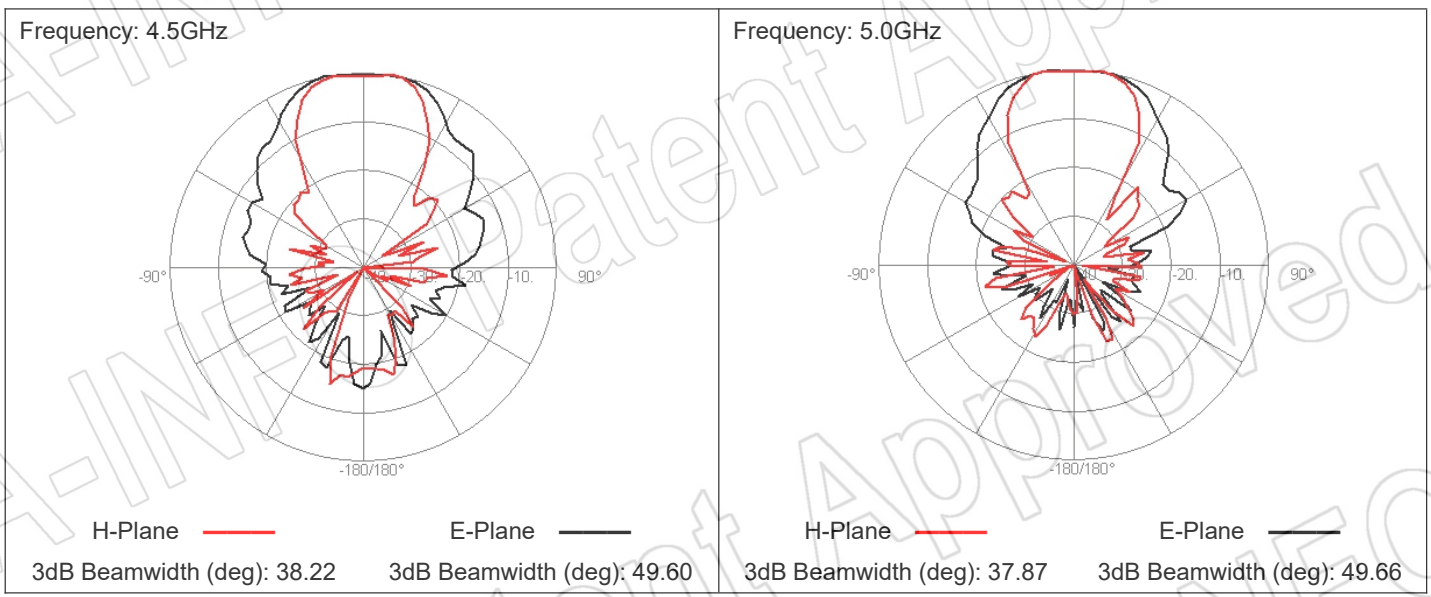
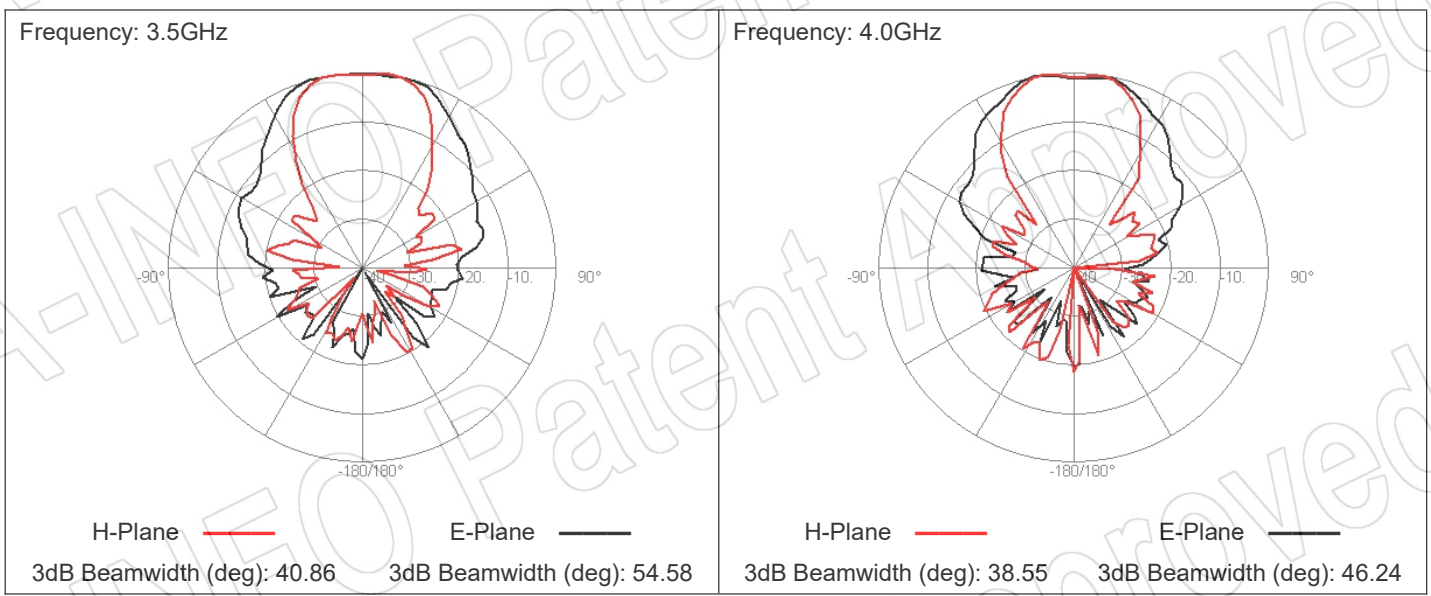
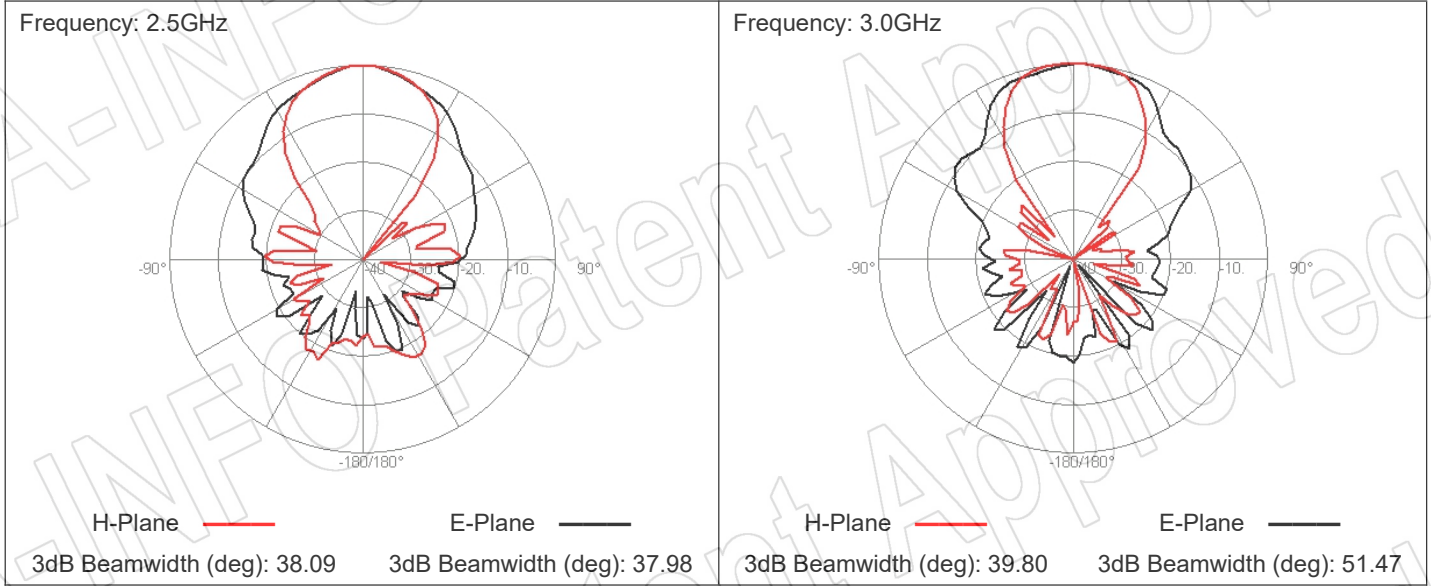


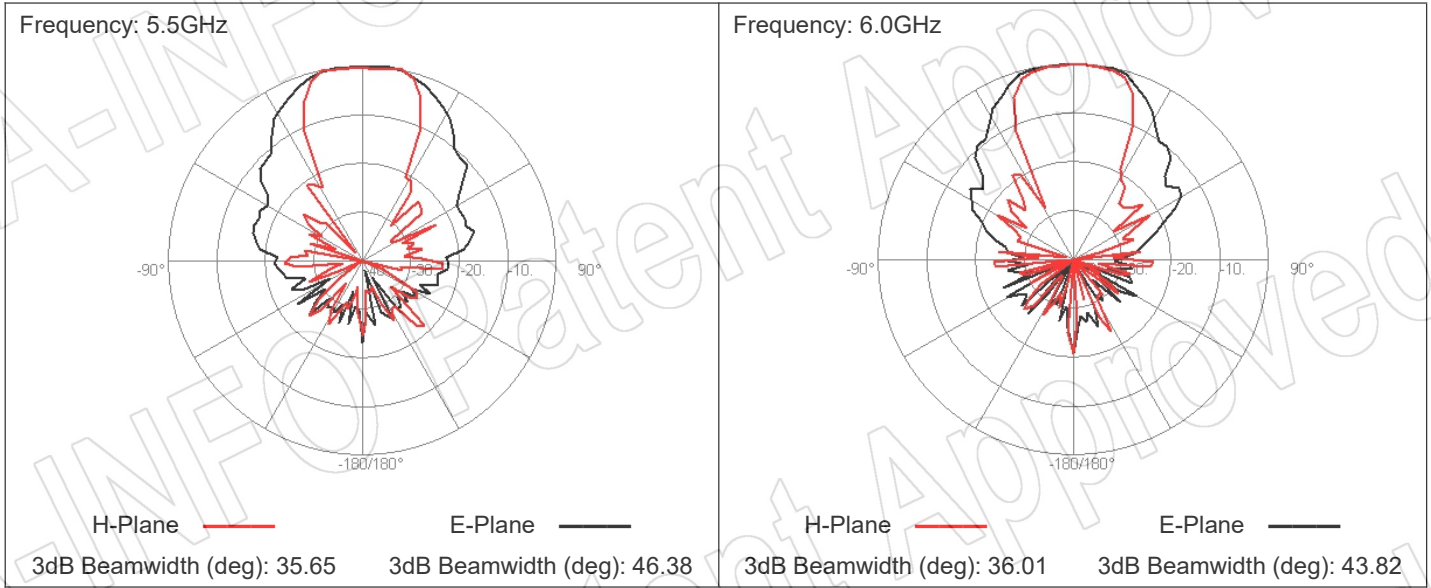
3. VSWR



4. Pattern







AINFO Inc.

China(Beijing):
 China(Chengdu):
 USA :

Tel: (+86) 10-6266-7326,
 Tel: (+86) 28-8519-2786,
 Tel: (+1) 949-639-9688,

(+86) 10-6266-7327
 (+86) 28-8519-3044
 (+1) 949-639-9608

Fax: (+86) 10-6266-7379
 Fax: (+86) 28-8519-3068
 Fax: (+1) 949-639-9670

Website: www.ainfoinc.com
 Email: sales@ainfoinc.com